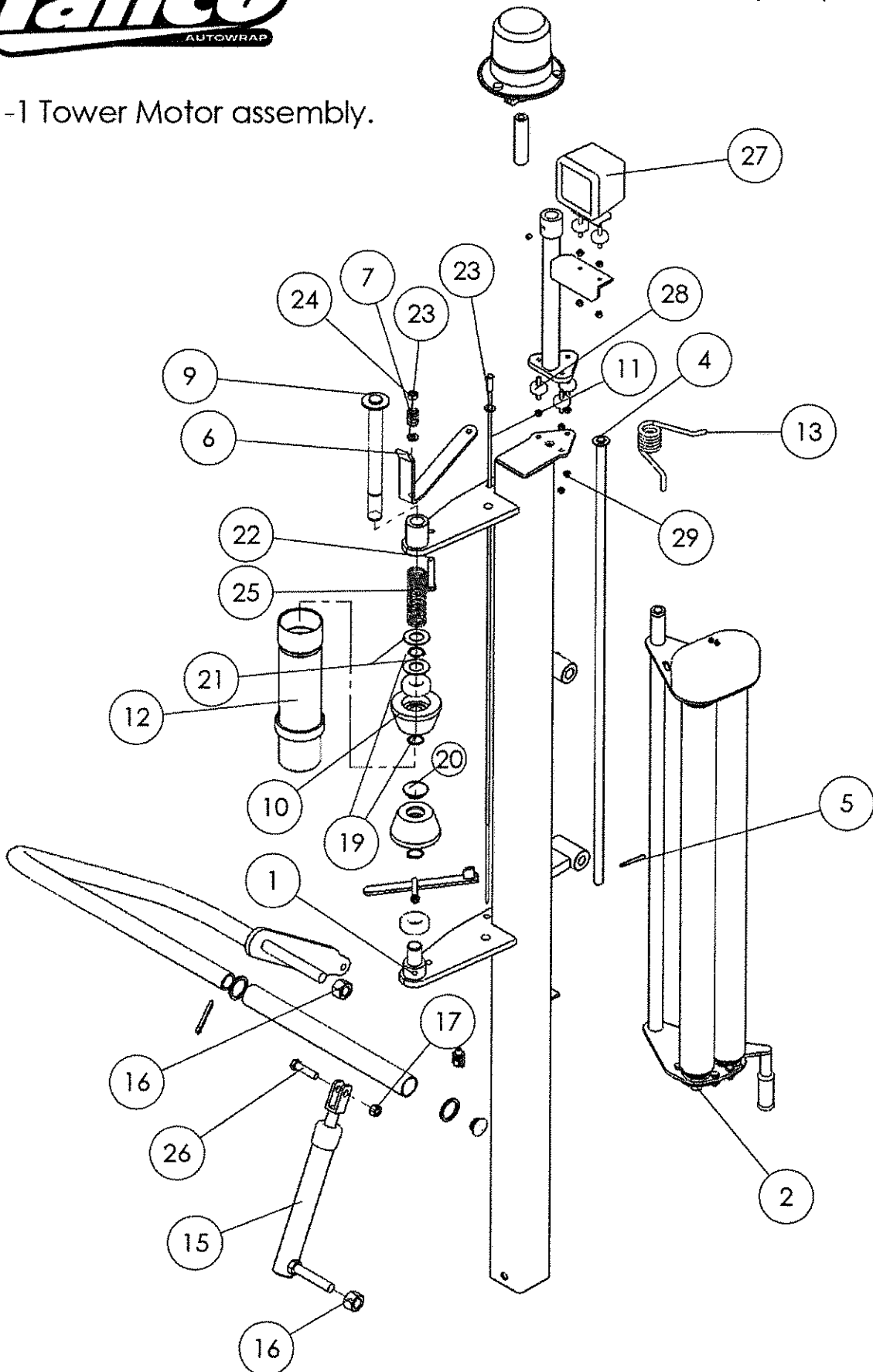


4-1-1 Tower Motor assembly.





4-1-1 Tower Motor assembly.

ITEM NO.	PartNo	DESCRIPTION	QTY.
1	WD90-DMA	Dispenser mast frame	1
2	1205100	Dispenser Insert	1
3	1305010	Bottom latch	1
4	1305030	Pivot pin	1
5	1305033	Split pin	1
6	WD13-006	Top latch	1
7	1305027	Top Latch Spring	1
8	1305016	Bottom cone	1
9	1305022	Top shaft	1
10	1305019	Upper cone	1
11	Z003-1200	Latch release wire kit	1
12	WD60-FA	Film adaptor	1
13	1305034	Torsional Spring	1
14	WD617-FPDA	Film Pull down arm assembly	1
15	Z01-01-AW25	Hydraulic Ram (pull down)	1
16	Z30-20	M20 Locknut	2
17	Z23-12	M12 Locknut	1
18	1305015	Bearing	2
19	1305017	Cir-clip 25mm	3
20	1305018	Plastic cap 1 1/4"	1
21	1305020	25mm dia.flat washer	2
22	Z26-067B	60 Hex bolt	1
23	Z11-02-11	M10 flat washer	2
24	Z23-10	M10 Locknut	1
25	1305022	Spring	1
26	Z26-086S	M12 x 50 Hex Set	1
27		Beacon assy	1
28	Z20-40	Rubber Buffer	3
29	Z23-06	M8 Locknut	6