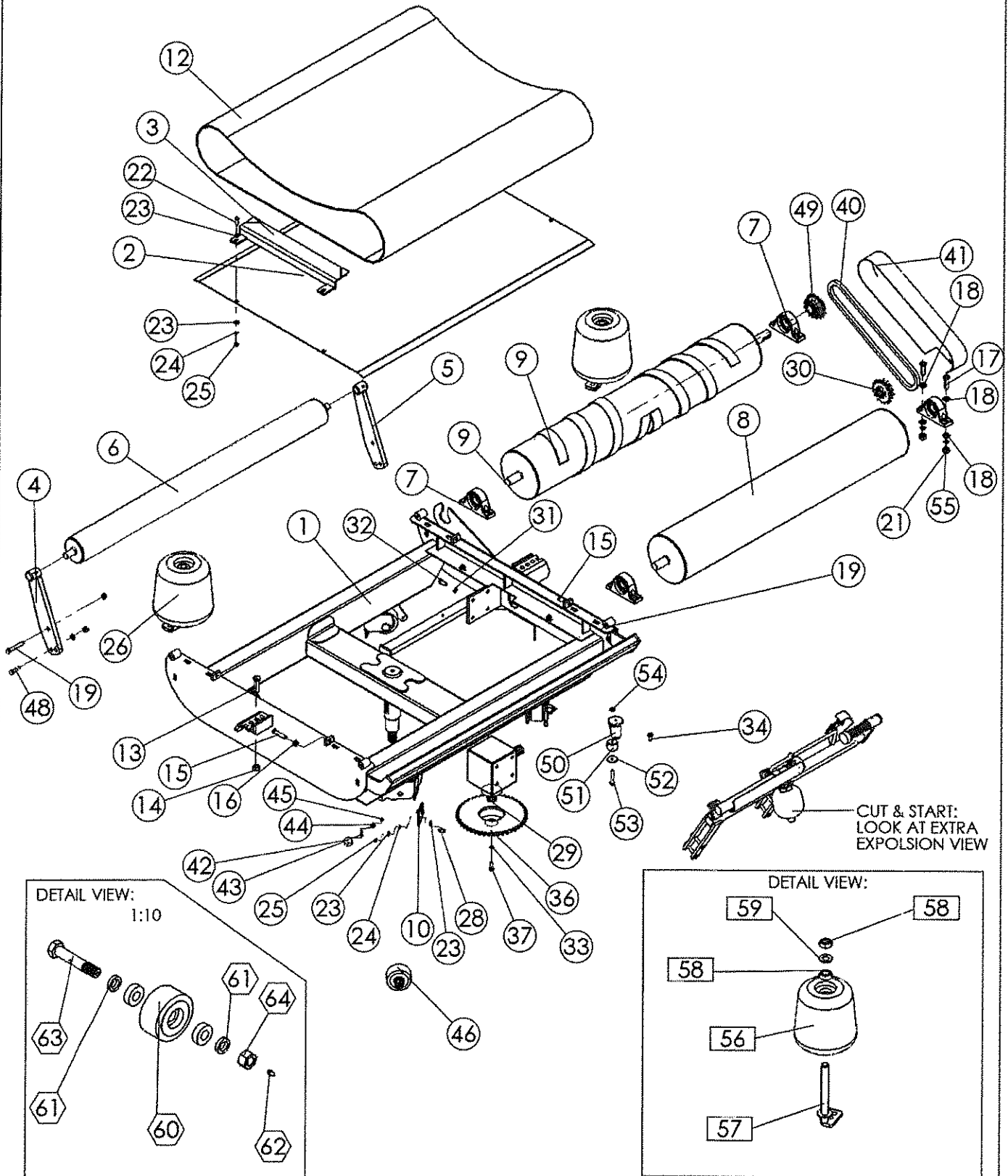


4.1 Turntable exploded view





4.2 Turntable part list.

ITEM NO.	PartNo	DESCRIPTION	QTY.
1	WD67-TA	Turntable Welded Assembly	1
2	WD66-024	Turntable Cover Plate	1
3	WD66-8C	Belt Guide Assembly	2
4	WD66-RMB2	Roller Mounting Bracket	2
5	WD66-RMB1	Roller Mounting Bracket	2
6	WD66-5MR	4" Roller Assy	2
7	Z06-4B5	1 1/4" Pillow Block Bearing c/w Cam Lock	4
8	WD66-BR1	Idler Roller	1
9	WD66-BRD	Drive Roller	1
10	WD60-711	Rubber Scraper	2
11	1203500	Cut and Start	1
12	Z05-0ZAW96	6mm Flat Belt 1200 Widedx2475 Long	1
13	Z26-126S	M16 x 60 HEX SET	2
14	Z23-16	M16 Locknut	2
15	Z26-088S	M12x60 Hex Set	4
16	Z18-12	M 12 Hex Nut	4
17	Z26-104B	M 14x50 Hex Bolt	8
18	Z11-02-14	14mm Flat Washer	16
19	Z26-0901B	M12 x 80 Hex Bolt	4
20	Z23-12	M12 Locknut	8
21	Z18-14	M14 Hex Nut	8
22	Z26-041S	M8 x 30 Hex Set	4
23	Z11-02-081	8mm Mud Washer	16
24	Z12-02-08	8mm Spring Washer	8
25	Z18-08	M 8 Hex Nut	8
26	See Below	End Roller Assy	2
27	Z10-02-12	M. 12 Flat Washer	4
28	Z26-039S	M.8 X 20 HEX SET	4
29	Z01-25-300	Gear Box	1
30	Z06-D65-1316 S	13/16 double simplex sprocket	1
31	Z12-02-12	12mm Spring Washer	4
32	Z26-082S	M12 Hex HD Set x 30mm Long	4
33	Z12-02-10	10mm Spring Washer	4
34	Z26-0611S	M10 x 25 Hex Set	1
35	WD67-127	Chain Stripper	1
36	Z06-D64-46S	46 tooth sprocket	1
37	Z26-062S	M10 Hex HD Set x 30mm Long	2
38	Z13-112	M10 Cup SQ. Screw x 30mm Long	1
39	Z18-10	M10-Hex Nut	1
40	Z09-AW-3	Chain 3/4 Pitch x 62 Pitches (inc. Joiner)	1
41	WD67-cgc	Chain cover	1
42	D6043	Magnet	2
43	Z13-132	M6 x 35 Csk. Hd. Set	2
44	Z11-02-06	6mm Mud Washer	2
45	Z23-06	M6 lock nut	2
46	Z06-466W-assy	4" Wheel Assy.	4
47	WD66-ERM	End Roller Mounting	1
48	Z26-084S	M12 x 40 Hex Set	4
49	Z06-D64-1316K	Sprocket Double Simplex 13/16" Keyed	1
50	Z06-454	Rosta Tensioner	1
51	WD60-CT	Chain Tensioner	1
52	WD623-071	Retaining Collar	1
53	Z26-0671B	M 10 x 65 Hex. Bolt	1
54	Z23-10	M 10 Locknut	1
55	Z12-02-14	14mm Spring Washer	8
56	WD66-053	Key Steel	1

End Roller Sub-assembly

ITEM NO.	PART NUMBER	DESCRIPTION	Default/QTY.
56	Z06-AWR	End Roller	1
57	WD66-ERM	End Roller Mounting	1
58	Z06-AWRB93	bearing (6305 2RS)	2
59	WD60-292	Thrust Washer	1

4" Wheel sub-assembly

ITEM NO.	PartNo	DESCRIPTION	Default/QTY.
60	Z06-466W	4" wheel	1
61	WD67-101	Spacer	2
62	34061915	Grease Nipple	1
63	Z03-22-AW-AX	4" wheel Axle	1
64	Z23-20	M16 hex nut	1