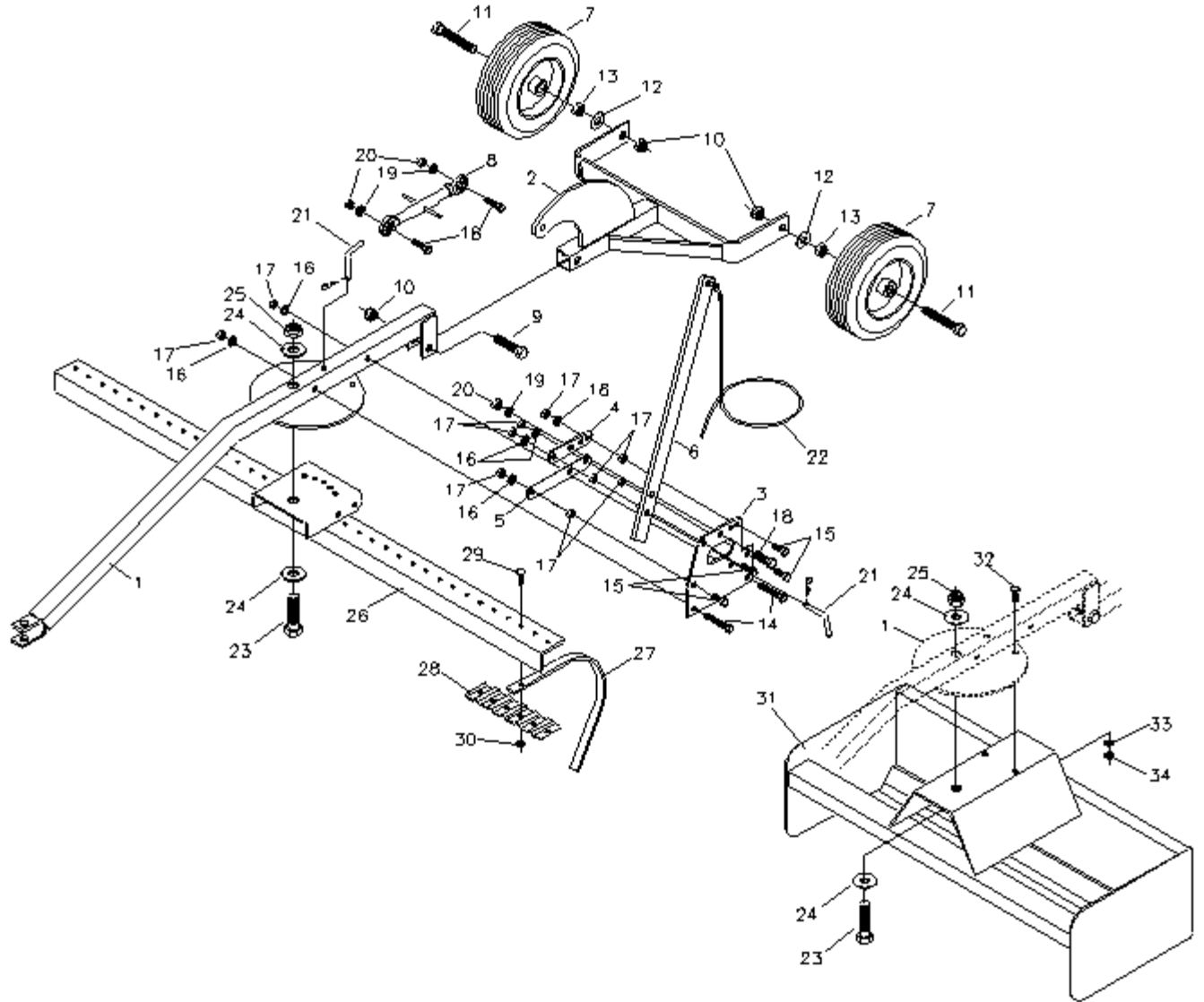


# Models PLR-48", PLR-60", PLR-72" & PBX-42"

## Pull Type Landscape Attachments



### *PLR Chassis Assembly*

Ref. No	Part No.	Description	No. Req'd
1	341921	Beam Hitch Weldment	1
2	341930	Wheel Pivot Weldment	1
3	341926	Adjustment Plate	1
4	341927	Upper Leveling Arm Bracket	1

5	341928	Lower Leveling Arm Bracket	1
6	341929	Leveling Arm	1
7	341935	Wheel Assembly	2
8	590125	Top Link, AK-300, Category 0	1
9	2503024	Bolt, 3/4"-10NC x 3-1/2" Hex Head	1
10	2500075	Nut, 3/4"-10NC Nylock Hex Jam	3
11	2503033	Bolt, 3/4"-10NC x 5" Hex Head	2
12	2501002	Washer, 3/4" Medium Flat	2
13	2500002	Nut, 3/4"-10NC Hex	2
14	2503012	Bolt, 1/2"-13NC x 3" Gr.2 Hex Head	2
15	2503004	Bolt, 1/2"-13NC x 1-1/2" Hex Head	4
16	2502002	Washer, 1/2" Springlock	6
17	2500003	Nut, 1/2"-13NC Full Hex	10
18	2503048	Bolt, 5/8"-11NC x 2" Hex Head	3
19	2502007	Washer, 5/8" Springlock	3
20	2500013	Nut, 5/8"-11NC Full Hex	3
21	341857	Shift Pin, 1/2" x 3-1/4"	2
22	341936	Rope, 5/16" Braided Sisal	1
23	2503226	Bolt, 1"-8NC x 4" Hex Head	1
24	2501001	Washer, 1" Medium Flat	2
25	2500085	Nut, 1"-8NC Nylock Hex Jam	1

## Rake Assemblies

Ref. No	Part No.	Description	No. Req'd
26	341701	Tinebar Weldment (PLR-48)	1
	341711	Tinebar Weldment (PLR-60)	1
	341721	Tinebar Weldment (PLR-72)	1
27	341704	Rake Tooth (PLR-48)	24
		Rake Tooth (PLR-60)	30
		Rake Tooth (PLR-72)	36
28	341705	Tooth Support (PLR-48)	4
		Tooth Support (PLR-60)	5
		Tooth Support (PLR-72)	6
29	2503103	Bolt, 3/8"-16NC x 1-1/2" Carriage Head (PLR-48)	24
		Bolt, 3/8"-16NC x 1-1/2" Carriage Head (PLR-60)	30
		Bolt, 3/8"-16NC x 1-1/2" Carriage Head (PLR-72)	36
30	2500081	Nut, 3/8"-16NC Whiz Flange Hex (PLR-48)	24
		Nut, 3/8"-16NC Whiz Flange Hex (PLR-60)	30
		Nut, 3/8"-16NC Whiz Flange Hex (PLR-72)	36